

УДК 621.777

Adaptation of Method Combined Rolling-Extruding for Production of Semi-Finished Products from Graded Waste Chip of Aluminum Alloys

Nikolai N. Zagirov*, **Sergey B. Sidelnikov,**
Vadim M. Bespalov and Konstantin V. Burmistrov
Siberian Federal University
79 Svobodny, Krasnoyarsk, 660041, Russia

Received 24.12.2014, received in revised form 16.02.2015, accepted 04.03.2015

Was proposed a device for obtaining deformed semi-finished products from chip of aluminum alloys with use combined methods of treatment. Carried experiments to obtain rods and receipted data about their mechanical properties.

Keywords: chip, aluminum alloys, combined rolling-extruding, mechanical properties, rods, density.

Адаптация способа совмещенной прокатки-прессования для изготовления полуфабрикатов и изделий из сортовой сыпучей стружки алюминиевых сплавов

Н.Н. Загиров, С.Б. Сидельников,
В.М. Беспалов, К.В. Бурмистров
Сибирский федеральный университет
Россия, 660041, Красноярск, пр. Свободный, 79

Предложено устройство для деформированных полуфабрикатов из стружки алюминиевых сплавов с применением методов совмещенной обработки. Проведены эксперименты по получению прутков и получены данные об их механических свойствах.

Ключевые слова: стружка, алюминиевые сплавы, совмещенная прокатка-прессование, механические свойства, прутки, плотность.

One of promising area of development continuous extruding technology based on installations of combined rolling-extruding is the use them for obtaining rods and wire from non-compact metallic materials of which occupies a special place graded granular chips of

non-ferrous metals and alloys. The above approach is aimed for solution a number of practical problems, the most significant of which can be consider the use of more rational, compared to the traditional melting redistribution, ways to involving to the production circulation generated in one form or another in particular production different types of waste chips. The effectiveness of the implementation of this method of processing waste chips provided a clear organization of work on their collection and storage, caused by a decline of deadweight losses of metal, lower cost of electricity for the metal production, and also the environmental conditions of production. In addition for maximum performance of processing waste chips important to create conditions of uninterrupted operation used for this purpose aggregates for a sufficiently long period of time.

Known a device for force feeding of non-compact material (powder) into the rolls of rolling mill and rolling it in horizontal direction as a metal strip [1], consisting of a bunker a container and auger with a drive and setpoint block. Due to the pressure generated by auger in the container, the device sequentially seals, and moves metal material and through setpoint block send it to the rolls located in a horizontal plane. However, this device allows obtaining only rolled sheet in the form of tapes, which significantly limits the range of products.

Partial solution to this problem other version of the device [2] used specifically to obtain the wire and profiles. The device includes two rolls one of which is made with a creek, the other – with a ledge, which together covered caliber at the output of which is set matrix with the ability to clamp it to the rolls, and roll to capture the non-compact material and its supply to the caliber. This device allows realizing process of combined rolling-extruding and obtaining press-articles of various forms from non-compact metallic materials (powders, chip, granules, etc.). However, the degree of compaction, which is created with an additional roll not always sufficient to obtain a relatively compact billet. In this regard it is difficult in consequence to capture and compress metal by rolls, which significantly affects the quality of study material and the formation of the required press-articles structure. Therefore, there is no way to get the wire and profiles of the non-compact materials with controlled structure and improved mechanical properties.

Improve efficient of the process obtaining wire and profiles from non-compact materials allows the design of the device, protected by a patent for an invention [3]. Device circuit is shown in Figure 1, includes a heated container 1, prechamber 2, drive auger 3 placed in a container 1, roll with a creek 4 and roll with a ledge 5 forming a closed box pass 6 at the output of which is set matrix 7 with hydraulic clamp 8. The matrix is equipped with heaters 9.

Non-compact metallic material (chip) continuously supplied to the container 1 and using rotating auger 3 moves to the tapered portion of prechamber 2. In process of creation the necessary pressure using rotating auger 3 material is compacted and the formation of a more or less compact billet in a rectangular plot of prechamber 2. And shape of the inner cavity and dimensions of prechamber 2 chosen so that compaction of billet takes place gradually with the transition from round section diameter D to rectangular with maximum dimensions $h_{\max} \times b$.

Next driven to rotate rolls 4, 5 and billet enters in formed by these rolls closed caliber 6, filling it, crimped by rolls, moving to a matrix 7 pursed to the rolls by hydro clamp 8, extruded and pressed in the form of press-articles with given shape, for example, profiles circular section diameter d_{II} through the matrix 7.

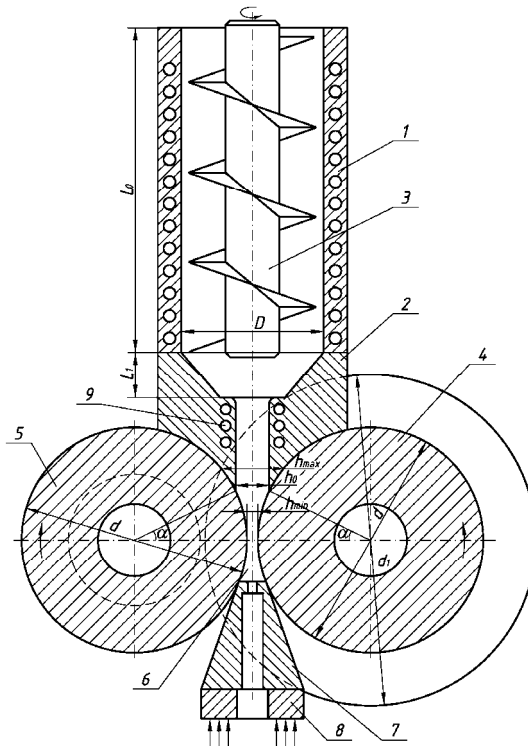


Fig. 1 Scheme of the device to obtain wire and profiles from non-compact materials

The presence of an intermediate prechamber allows before rolling stage make preliminary briquetting of non-compact material and form in the prechamber rectangular billet with the necessary degree of compaction sufficient for subsequent deformation by extruding metal by rolls through the hole of matrix. In this case, to reduce resistance to deformation of the material and therefore efforts extrusion prechamber can be equipped with additional heaters provide a stable temperature conditions in the deformation center.

For sustainable process of compaction in the prechamber necessary that coefficient of material compaction k_y ranges between 3 to 5 [1], that is the ratio of the cross sectional area F_1 working cavity of prechamber diameter D by logging in to the granular material and cross sectional area F_0 compacted rectangular billet output from it equal

$$\frac{F_1}{F_0} = k_y = 3 \dots 5, \quad (1)$$

where $F_1 = \pi \frac{D^2}{4}$; $F_0 = b \cdot h_0$.

Having expressed the value F_0 through the height of caliber in the smallest section h_{\min} which implements the maximum compression ε during rolling, get

$$F_0 = b \cdot h_{\min} \frac{1}{1 - \varepsilon}. \quad (2)$$

Substituting formula (2) into equality (1) and taking into account that to ensure reliability of process combined rolling-extruding [4] compression in rolling should be at least 50 % ($\varepsilon = 0,5$), obtain as a result that diameter of the prechamber on the border of the container, where begins forming billet, must be chosen from the ratio

$$D = (2,8 \dots 3,6) \sqrt{b \cdot h_{\min}}, \quad (3)$$

where b – width of closed caliber; h_{\min} – height of closed caliber at the lowest section.

Checking of the proposed design of the device was carried out in laboratory conditions of department of metal forming Siberian federal university. Given the deduced formula were designed and manufactured rolls with diameter 200 mm, that after mounting them on one cage rolling mill DUO used to produce rods diameter of 7 and 9 mm. Caliber size in the smallest cross section was $h_{\min} \times b = 7 \times 15$ mm, and the size of compacted billet output from prechamber were $14 \times 14,5$ mm. As the test material used granular chips of aluminum alloy АД31. When the diameter of prechamber on the border with the container $D = 30$ mm compaction of material at the outlet of the prechamber was about 50–60 %. Compression in a closed cavity between rolls on the stage of rolling provided further compaction to a relative density of 85–90 %, and a subsequent extrusion through the matrix rod density reached values 97–99 %.

To estimate the level of mechanical properties obtained press-articles from each of the rods were taken a few fragments from which were grind out the samples with a standard aspect ratio for tensile testing. Tests themselves were carried out on a universal testing machine LFM400 with fixation of the entire course of the deformation in a separate protocol. Processing of received data which was carried out for five samples for each size with the use of well-known formulas showed that: range of values the ultimate tensile strength σ_B for rod $\varnothing 7$ mm ranges from 190 to 200 MPa, for rod $\varnothing 9$ mm – from 175 to 185 MPa; range of values relative elongation δ for rod $\varnothing 7$ mm is from 14 to 18 %, and for rod $\varnothing 9$ mm – 16–20 %.

Set out the specific application area of rods and obtained from them by drawing wire from chips alloy АД31 quite difficult. However, it can be assumed that, because of the relatively low cost of production and taking into account achieved mechanical properties they can be used, for example, consumer goods products, in particular, the strapping wire irresponsible use. For these products mechanical properties are not strictly regulated, but it is believed that in the solid (unannealed) state tensile strength for them to be at least 140–160 MPa, and elongation – at least 5–10 %.

References

- [1] *Vinogradov G.A., Katashinsky V.P.* Theory of sheet rolling metal powders and granules. M.: Metallurgy, 1979.
- [2] *Sidelnikov S.B., Kornilov V.N., Dovzhenko N.N. and others.* Patent 1692739 RF. Device to get the wire and profiles / IPC B 22 F 3/18, B21B 1/10. Publ. 23.11.91. Bul. № 43.
- [3] *Sidelnikov S.B., Zagirov N.N., Ivanov E.V., Bespalov V.M.* Patent 2429943 RF. Device to get the wire and profiles from non-compact materials / IPC B 22 F 3/18, B 21 B 1/10. Publ. 27.09.2011. Bul. № 27.
- [4] *Sidelnikov S.B., Dovzhenko N.N., Zagirov N.N.* Combined methods of treatments of non-ferrous metals and alloys: a monograph. M.: MAKS Press, 2005.